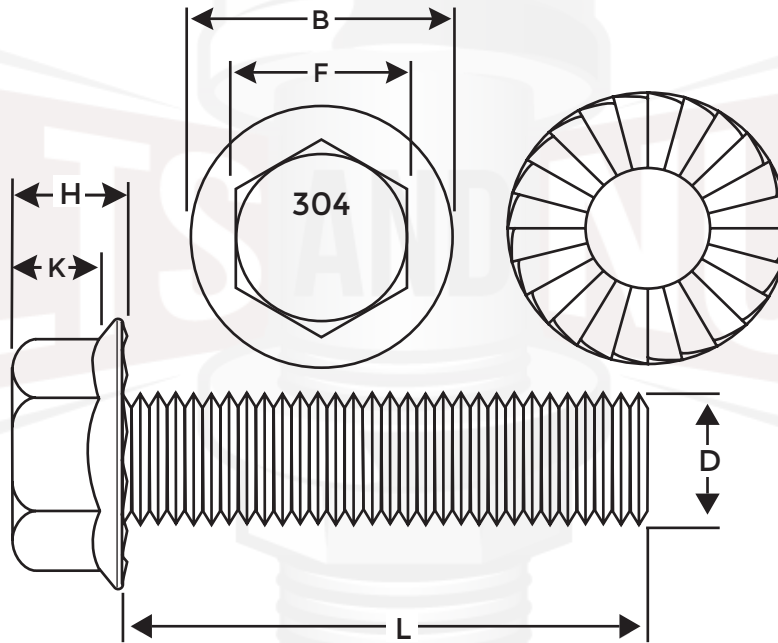




Stainless Steel Serrated Hex Flange Screws



Inches							
Nominal Size or Basic Bolt Diameter	F		H	B	K	D	
	Width Across Flats		Height of Head	Flange Dia.	Wrench Height	Full Size Body Diameter	
	Max	Min	Max	Max	Min	Max	Min
1/4"	0.375	0.367	0.28	0.56	0.17	0.2500	0.2450
5/16"	0.500	0.489	0.32	0.68	0.21	0.3125	0.3065
3/8"	0.562	0.551	0.39	0.81	0.25	0.3750	0.3690
7/16"	0.625	0.612	0.46	0.93	0.30	0.4375	0.4305
1/2"	0.750	0.736	0.51	1.07	0.34	0.5000	0.4930
5/8"	0.937	0.922	0.62	1.33	0.42	0.6250	0.6170
3/4"	1.125	1.100	0.73	1.59	0.51	0.7500	0.7410

Dimensions: IFI-111 / ASME B18.2.1
 Material: 18-8 (T304) Stainless Steel
 Threading: Every Length is Full Thread
 Locking Feature: 24 Serrations

440.606.6557

www.boltsandnuts.com

info@boltsandnuts.com

ONLINE FASTENER GROUP LLC CLAIMS ALL PROPRIETARY RIGHTS TO THIS DRAWING AND THE INFORMATION IT CONTAINS. THIS MATERIAL IS CONFIDENTIAL. DISCLOSURE, REPRODUCTION, AND MANUFACTURING IS STRICTLY PROHIBITED WITHOUT THE EXPRESS WRITTEN PERMISSION OF ONLINE FASTENER GROUP LLC. ALL RIGHTS OF DESIGN OR INVENTION ARE RESERVED.