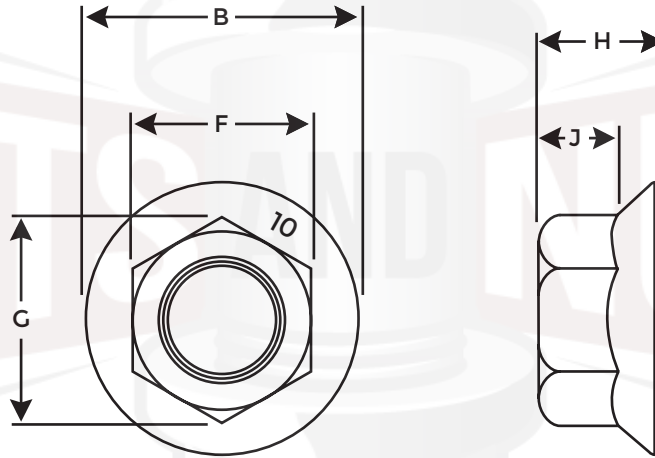




Class 10 JIS Hex Flange Nuts (Non Locking)



| Diameter/ Pitch | F | | G | B | H | | J |
|---|--------------------------|-------|----------------------------|---------------|------------------|-------|------------------|
| | Width Across Flats | | Width Across Corners | Flange Dia | Nut Thickness | | Wrench Height |
| | Max | Min | Min | Max | Max | Min | Min |
| M6-1.0 | 10.00 | 9.80 | 11.05 | 14.00 | 6.00 | 5.25 | 3.60 |
| M8-1.25 | 12.00 | 11.75 | 13.25 | 17.50 | 8.00 | 7.10 | 4.80 |
| M10-1.25 | 14.00 | 13.75 | 15.51 | 21.00 | 10.00 | 9.10 | 6.00 |
| M12-1.25 | 17.00 | 16.75 | 18.90 | 25.00 | 11.50 | 10.40 | 7.20 |
| Dimensions: JIS B1190 Material: ISO 898-2 Class 10 | | | | | | | |

440.606.6557

www.boltsandnuts.com

info@boltsandnuts.com

ONLINE FASTENER GROUP LLC CLAIMS ALL PROPRIETARY RIGHTS TO THIS DRAWING AND THE INFORMATION IT CONTAINS. THIS MATERIAL IS CONFIDENTIAL. DISCLOSURE, REPRODUCTION, AND MANUFACTURING IS STRICTLY PROHIBITED WITHOUT THE EXPRESS WRITTEN PERMISSION OF ONLINE FASTENER GROUP LLC. ALL RIGHTS OF DESIGN OR INVENTION ARE RESERVED.