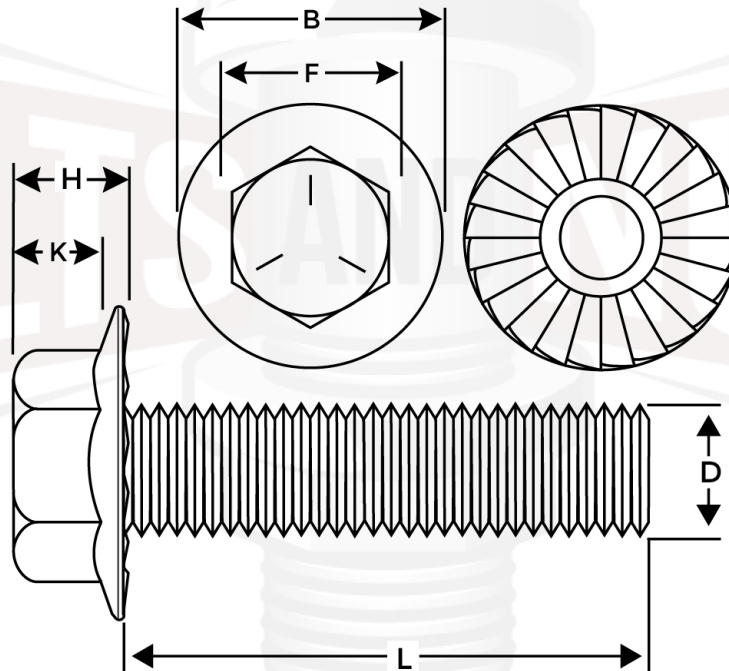




Grade 5 Large Serrated Hex Flange Screws



Nominal Size or Basic Bolt Diameter	F		H	B	K	D	
	Width Across Flats		Height of Head	Flange Dia.	Wrench Height	Full Size Body Diameter	
	Max	Min	Max	Max	Min	Max	Min
1/4"	0.375	0.367	0.28	0.630	0.17	0.2500	0.2450
5/16"	0.500	0.489	0.32	0.820	0.21	0.3125	0.3065
3/8"	0.562	0.551	0.39	0.915	0.25	0.3750	0.3690

Dimensions: IFI-111 / ASME B18.2.1; Larger Flange
Material: SAE J429 Grade 5
Tensile Strength: 120,000PSI Minimum
Threading: Every Length is Full Thread
Locking Feature: 24 Clockwise Serrations
Headmark: 3 Radial Lines 120 Degrees Appart & MFG ID

440.606.6557

www.boltsandnuts.com

info@boltsandnuts.com