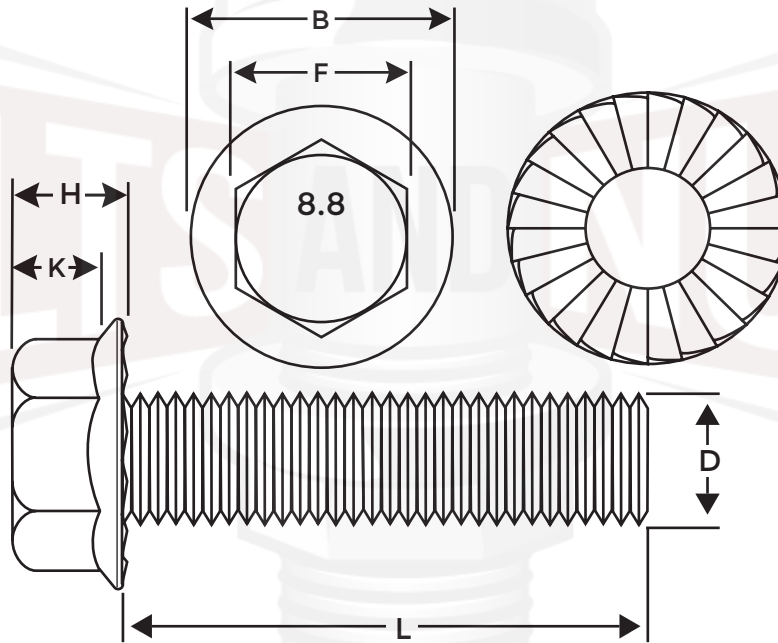




## Metric Class 8.8 Serrated Hex Flange Screws



Milimeters							
Nominal Size or Basic Bolt Diameter	F		H	B	K	D	
	Width Across Flats		Height of Head	Flange Dia.	Wrench Height	Full Size Body Diameter	
	Max	Min	Max	Max	Min	Max	Min
<b>M5-0.80</b>	8.00	7.78	5.40	11.80	2.00	5.00	4.82
<b>M6-1.0</b>	10.00	9.78	6.60	14.20	2.50	6.00	5.82
<b>M8-1.25</b>	13.00	12.73	8.10	18.00	3.20	8.00	7.78
<b>M10-1.5</b>	15.00	14.73	9.20	22.30	3.60	10.00	9.78
<b>M12-1.75</b>	16.00	15.73	11.50	26.60	4.60	12.00	11.73
<b>M14-2.0</b>	18.00	17.73	12.80	30.50	5.10	14.00	13.73
<b>M16-2.0</b>	21.00	20.67	14.40	35.00	5.80	16.00	15.73

**Dimensions: DIN 6921**  
**Material: Class 8.8 ISO898-1**  
**Tensile Strength: 800N/MM2 Minimum**  
**Threading: Every Length is Full Thread**  
**Locking Feature: 24 Serrations**

440.606.6557

[www.boltsandnuts.com](http://www.boltsandnuts.com)

[info@boltsandnuts.com](mailto:info@boltsandnuts.com)

ONLINE FASTENER GROUP LLC CLAIMS ALL PROPRIETARY RIGHTS TO THIS DRAWING AND THE INFORMATION IT CONTAINS. THIS MATERIAL IS CONFIDENTIAL. DISCLOSURE, REPRODUCTION, AND MANUFACTURING IS STRICTLY PROHIBITED WITHOUT THE EXPRESS WRITTEN PERMISSION OF ONLINE FASTENER GROUP LLC . ALL RIGHTS OF DESIGN OR INVENTION ARE RESERVED.