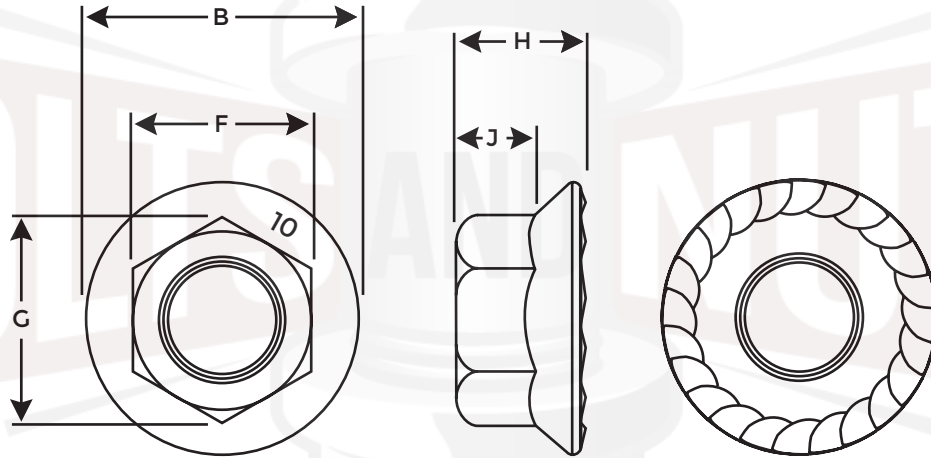




Class 10 JIS Serrated Hex Flange Lock Nuts



Diameter/ Pitch	F		G	B	H		J
	Width Across Flats		Width Across Corners	Flange Dia	Nut Thickness		Wrench Height
	Max	Min	Min	Max	Max	Min	Min
M6-1.0	10.00	9.80	11.05	14.00	6.00	5.25	3.60
M8-1.25	12.00	11.75	13.25	17.50	8.00	7.10	4.80
M10-1.25	14.00	13.75	15.51	21.00	10.00	9.10	6.00
M12-1.25	17.00	16.75	18.90	25.00	11.50	10.40	7.20
Dimensions: JIS B1190 with 24 Locking Serrations Material: ISO 898-2 Class 10							

440.606.6557

www.boltsandnuts.com

info@boltsandnuts.com

ONLINE FASTENER GROUP LLC CLAIMS ALL PROPRIETARY RIGHTS TO THIS DRAWING AND THE INFORMATION IT CONTAINS. THIS MATERIAL IS CONFIDENTIAL. DISCLOSURE, REPRODUCTION, AND MANUFACTURING IS STRICTLY PROHIBITED WITHOUT THE EXPRESS WRITTEN PERMISSION OF ONLINE FASTENER GROUP LLC . ALL RIGHTS OF DESIGN OR INVENTION ARE RESERVED.