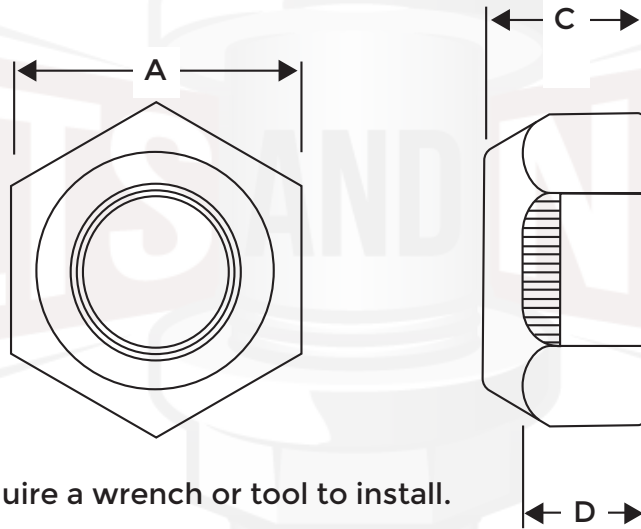




Class 10 Hex Lock Nuts



This nut will require a wrench or tool to install.

Nominal Size or Basic Bolt Diameter	A		C		D
	Width Across Flats (MM)		Nut Thickness (MM)		Hex Height (MM)
	Max	Min	Max	Min	Min
M6	10	9.78	6	5.70	3.30
M8	13	12.73	8	7.50	4.40
M10	17	16.73	10	9.00	5.50
M12	19	18.67	12	11.00	6.60
M14	22	21.67	14	12.00	7.70
M16	24	23.67	16	14.00	8.80

Dimensions: DIN 980V

Material: Class 10

All Metal Locking Feature:

Top is pressed or crimped to displace threads which creates the locking feature.

440.606.6557

www.boltsandnuts.com

info@boltsandnuts.com