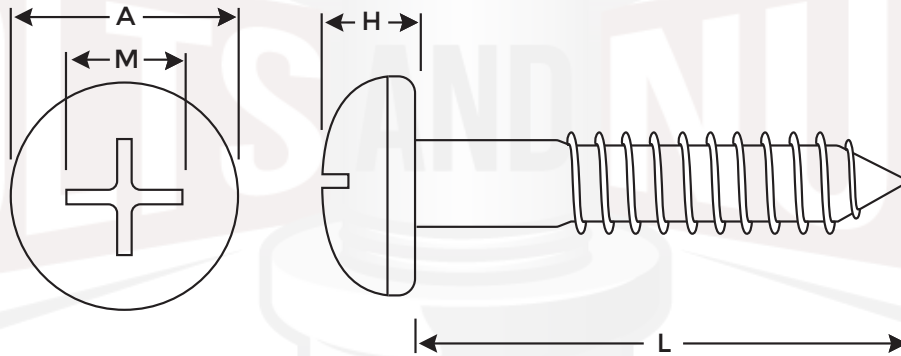




Phillips Round Head Wood Screws



Nominal Size or Basic Bolt Diameter	D		A		H	M
	Body Diameter (IN)		Head Diameter (IN)		Head Height (IN)	Recess Diameter (IN)
	Max	Min	Max	Min	Max	Min
#6	0.118	0.107	0.260	0.240	0.103	0.149
#8	0.136	0.125	0.309	0.287	0.120	0.165
#10	0.157	0.146	0.359	0.334	0.137	0.182
#12	0.176	0.165	0.408	0.382	0.153	0.236
#14	0.201	0.190	0.457	0.429	0.170	0.252

Head: Phillips Round Head
 Dimensions: ASME B18.6.1
 Material: Carbon Steel

440.606.6557

www.boltsandnuts.com

info@boltsandnuts.com

ONLINE FASTENER GROUP LLC CLAIMS ALL PROPRIETARY RIGHTS TO THIS DRAWING AND THE INFORMATION IT CONTAINS. THIS MATERIAL IS CONFIDENTIAL. DISCLOSURE, REPRODUCTION, AND MANUFACTURING IS STRICTLY PROHIBITED WITHOUT THE EXPRESS WRITTEN PERMISSION OF ONLINE FASTENER GROUP LLC . ALL RIGHTS OF DESIGN OR INVENTION ARE RESERVED.