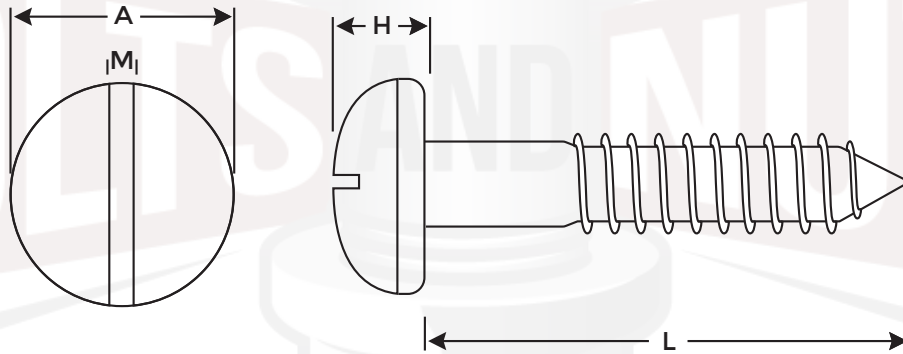




Slotted Round Head Wood Screws



Nominal Size or Basic Bolt Diameter	D		A		H	M
	Body Diameter (IN)		Head Diameter (IN)		Head Height (IN)	Slot Width (IN)
	Max	Min	Max	Min	Max	Min
#6	0.118	0.107	0.260	0.240	0.103	0.039
#8	0.136	0.125	0.309	0.287	0.120	0.045
#10	0.157	0.146	0.359	0.334	0.137	0.050
#12	0.176	0.165	0.408	0.382	0.153	0.056
#14	0.201	0.190	0.457	0.429	0.170	0.064

Head: Slotted Round Head
Dimensions: ASME B18.6.1
Material: Carbon Steel

440.606.6557

www.boltsandnuts.com

info@boltsandnuts.com