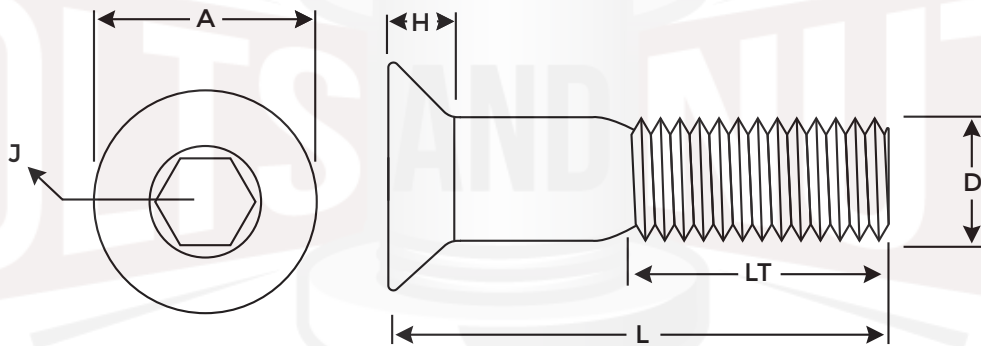




## Stainless Steel Flat Socket Head Screws



Nominal Size or Basic Bolt Diameter	D		A		H	J	
	Body Diameter (Inches)		Head Diameter (Inches)		Head Height	Hex Socket Size	
	Max	Min	Max	Min	Ref	Max	Min
#6	0.1380	0.1329	0.307	0.263	0.097	0.0791	0.0781
#8	0.1640	0.1585	0.359	0.311	0.112	0.0952	0.0937
#10	0.1900	0.1840	0.411	0.359	0.127	0.1270	0.1250
1/4"	0.2500	0.2102	0.531	0.480	0.161	0.1587	0.1562
5/16"	0.3125	0.2435	0.656	0.600	0.198	0.1900	0.1875
3/8"	0.3750	0.3678	0.781	0.720	0.234	0.2217	0.2187
1/2"	0.5000	0.4919	0.938	0.872	0.251	0.3160	0.3125
5/8"	0.6250	0.6163	1.188	1.112	0.324	0.3790	0.3750

**Dimensions: ASME B18.3 - Flat Head**  
**Material: 18-8 (304) Stainless Steel**  
**Threading: ASME B1.1, UNC & UNF, Class 3A Prior to Plating**

440.606.6557

www.boltsandnuts.com

info@boltsandnuts.com

ONLINE FASTENER GROUP LLC CLAIMS ALL PROPRIETARY RIGHTS TO THIS DRAWING AND THE INFORMATION IT CONTAINS. THIS MATERIAL IS CONFIDENTIAL. DISCLOSURE, REPRODUCTION, AND MANUFACTURING IS STRICTLY PROHIBITED WITHOUT THE EXPRESS WRITTEN PERMISSION OF ONLINE FASTENER GROUP LLC. ALL RIGHTS OF DESIGN OR INVENTION ARE RESERVED.