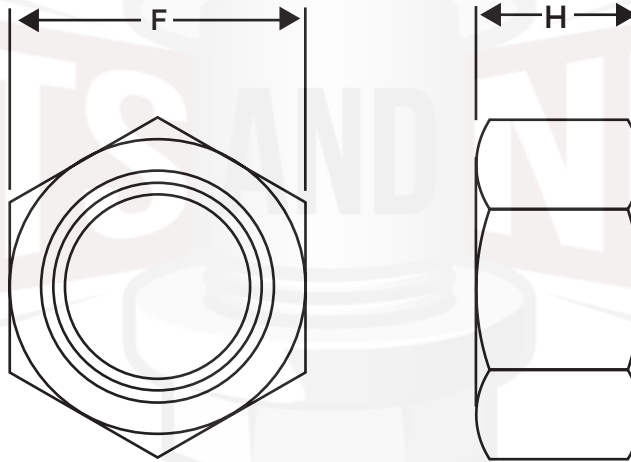




Stainless Steel Finished Hex Nuts



Nominal Size or Basic Bolt Diameter	F		H	
	Width Across Flats (IN)		Nut Thickness (IN)	
	Max	Min	Max	Min
#6	0.312	0.302	0.114	0.102
#8	0.344	0.332	0.130	0.117
#10	0.375	0.362	0.130	0.117
#12	0.438	0.423	0.161	0.148
1/4"	0.438	0.428	0.226	0.212
5/16"	0.500	0.489	0.273	0.258
3/8"	0.562	0.551	0.337	0.320
7/16"	0.688	0.675	0.385	0.365
1/2"	0.750	0.736	0.448	0.427
9/16"	0.875	0.861	0.496	0.473
5/8"	0.938	0.922	0.559	0.535
3/4"	1.125	1.088	0.665	0.617
7/8"	1.312	1.269	0.776	0.724
1"	1.500	1.45	0.887	0.831

Dimensions: ASME B18.2.2
Material: 18-8 (304) Stainless Steel
Threading: ASME B1.1, UNC & UNF, Class 2B

440.606.6557

www.boltsandnuts.com

info@boltsandnuts.com

ONLINE FASTENER GROUP LLC CLAIMS ALL PROPRIETARY RIGHTS TO THIS DRAWING AND THE INFORMATION IT CONTAINS. THIS MATERIAL IS CONFIDENTIAL. DISCLOSURE, REPRODUCTION, AND MANUFACTURING IS STRICTLY PROHIBITED WITHOUT THE EXPRESS WRITTEN PERMISSION OF ONLINE FASTENER GROUP LLC. ALL RIGHTS OF DESIGN OR INVENTION ARE RESERVED.