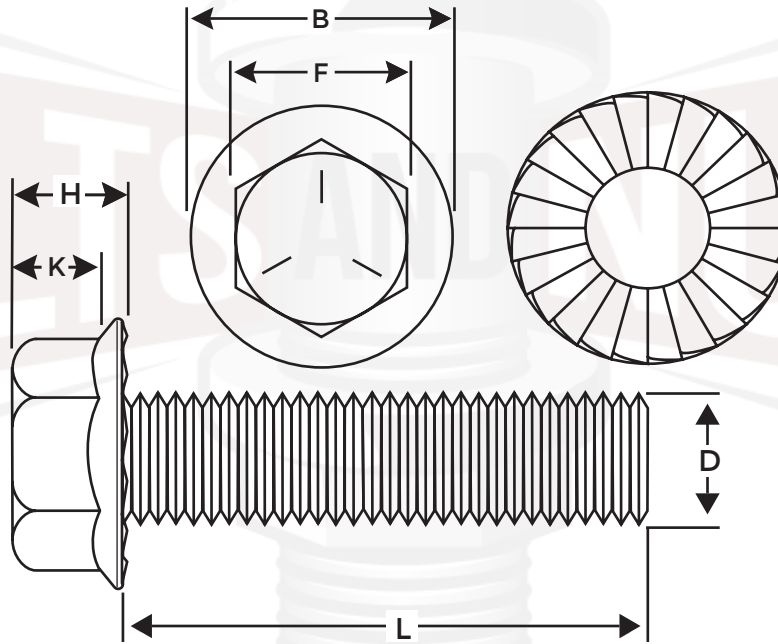




## Grade 5 Serrated Hex Flange Screws



Nominal Size or Basic Bolt Diameter	F		H	B	K	D	
	Width Across Flats		Height of Head	Flange Dia.	Wrench Height	Full Size Body Diameter	
	Max	Min	Max	Max	Min	Max	Min
1/4"	0.375	0.367	0.28	0.56	0.17	0.2500	0.2450
5/16"	0.500	0.489	0.32	0.68	0.21	0.3125	0.3065
3/8"	0.562	0.551	0.39	0.81	0.25	0.3750	0.3690
7/16"	0.625	0.612	0.46	0.93	0.30	0.4375	0.4305
1/2"	0.750	0.736	0.51	1.07	0.34	0.5000	0.4930
5/8"	0.937	0.922	0.62	1.33	0.42	0.6250	0.6170
3/4"	1.125	1.100	0.73	1.59	0.51	0.7500	0.7410

Dimensions: IFI-111 / ASME B18.2.1

Material: SAE J429 Grade 5

Tensile Strength: 120,000PSI Minimum

Threading: Every Length is Full Thread

Locking Feature: 24 Clockwise Serrations

Headmark: 3 Radial Lines 120 Degrees Apart & MFG ID

440.606.6557

www.boltsandnuts.com

info@boltsandnuts.com

ONLINE FASTENER GROUP LLC CLAIMS ALL PROPRIETARY RIGHTS TO THIS DRAWING AND THE INFORMATION IT CONTAINS. THIS MATERIAL IS CONFIDENTIAL. DISCLOSURE, REPRODUCTION, AND MANUFACTURING IS STRICTLY PROHIBITED WITHOUT THE EXPRESS WRITTEN PERMISSION OF ONLINE FASTENER GROUP LLC. ALL RIGHTS OF DESIGN OR INVENTION ARE RESERVED.