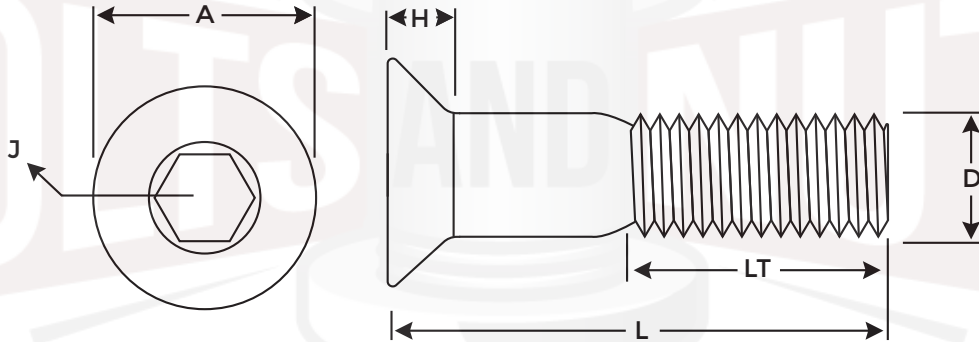




## Class 12.9 Alloy Flat Socket Head Screws



Nominal Size or Basic Bolt Diameter	D		A		J	
	Body Diameter (MM)		Head Diameter (MM)		Hex Socket Size (MM)	
	Max	Min	Max	Min	Max	Min
<b>M3</b>	3.00	2.86	6.00	5.70	2.100	2.020
<b>M4</b>	4.00	3.82	8.00	7.64	2.600	2.520
<b>M5</b>	5.00	4.82	10.00	9.64	3.100	3.020
<b>M6</b>	6.00	5.82	12.00	11.57	4.120	4.020
<b>M8</b>	8.00	7.78	16.00	15.57	5.140	5.020
<b>M10</b>	10.00	9.78	20.00	19.48	6.140	6.020
<b>M12</b>	12.00	11.73	24.00	23.48	8.175	8.025
<b>M16</b>	16.00	15.73	30.00	29.48	10.175	10.025

**Dimensions: DIN 7991 - Flat Head**  
**Material: Class 12.9 Alloy Steel per ASTM F835M and ISO 898-1**  
**Threading: 6g per ISO 724; ISO 965-1**

440.606.6557

www.boltsandnuts.com

info@boltsandnuts.com

ONLINE FASTENER GROUP LLC CLAIMS ALL PROPRIETARY RIGHTS TO THIS DRAWING AND THE INFORMATION IT CONTAINS. THIS MATERIAL IS CONFIDENTIAL. DISCLOSURE, REPRODUCTION, AND MANUFACTURING IS STRICTLY PROHIBITED WITHOUT THE EXPRESS WRITTEN PERMISSION OF ONLINE FASTENER GROUP LLC . ALL RIGHTS OF DESIGN OR INVENTION ARE RESERVED.