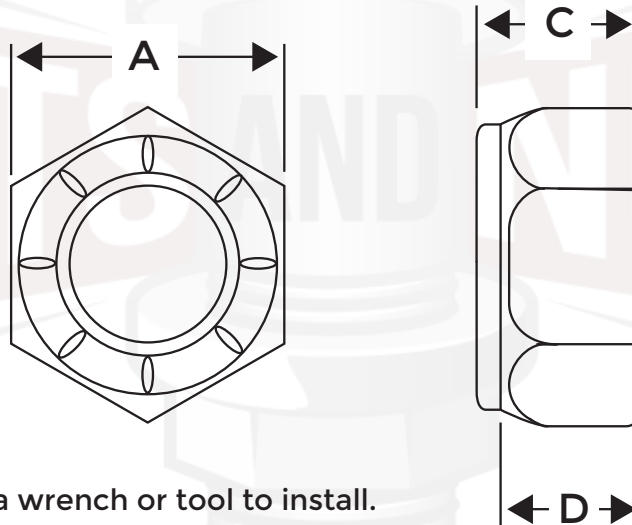




Class 8 Nylon Insert Hex Lock Nuts



This nut will require a wrench or tool to install.

Nominal Size or Basic Bolt Diameter	A		C	
	Width Across Flats (MM)		Nut Thickness (MM)	
	Max	Min	Max	Min
M3	5.5	5.32	4.0	3.70
M4	7.0	6.78	5.0	4.70
M5	8.0	7.78	5.0	4.70
M6	10.0	9.78	6.0	5.70
M8	13.0	12.73	8.0	7.64
M10	17.0	16.73	10.0	9.64
M12	19.0	18.67	12.0	11.57
M14	22.0	21.67	14.0	13.30
M16	24.0	23.67	16.0	15.30
M18	27.0	26.16	18.5	17.66
M20	30.0	29.16	20.0	18.70

Dimensions: DIN 985
Material: Class 8
Locking Feature: Nylon Insert Prevailing Torque Locknut

440.606.6557

www.boltsandnuts.com

info@boltsandnuts.com

ONLINE FASTENER GROUP LLC CLAIMS ALL PROPRIETARY RIGHTS TO THIS DRAWING AND THE INFORMATION IT CONTAINS. THIS MATERIAL IS CONFIDENTIAL. DISCLOSURE, REPRODUCTION, AND MANUFACTURING IS STRICTLY PROHIBITED WITHOUT THE EXPRESS WRITTEN PERMISSION OF ONLINE FASTENER GROUP LLC . ALL RIGHTS OF DESIGN OR INVENTION ARE RESERVED.