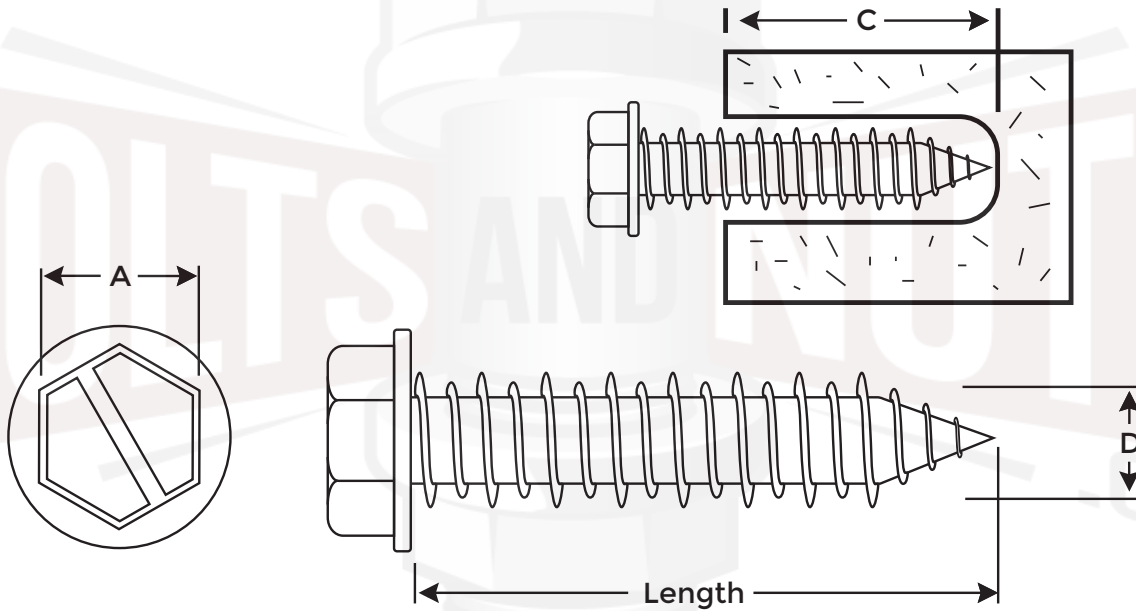




**Concrete Screws
Slotted Hex Washer Head**



D	A	C	
Basic Screw Diameter	Wrench Size (IN)	Embedment (IN)	Drill Bit Size (IN)
	Max	Min	Ref,
3/16"	1/4"	1"	5/32"
1/4"	5/16"	1"	3/16"
Head: Slotted Hex Washer Head Material: Hardened Steel Threading: Self Tapping / Diamond Tip Finish: 500 Hour Blue			

440.606.6557

www.boltsandnuts.com

info@boltsandnuts.com

ONLINE FASTENER GROUP LLC CLAIMS ALL PROPRIETARY RIGHTS TO THIS DRAWING AND THE INFORMATION IT CONTAINS. THIS MATERIAL IS CONFIDENTIAL. DISCLOSURE, REPRODUCTION, AND MANUFACTURING IS STRICTLY PROHIBITED WITHOUT THE EXPRESS WRITTEN PERMISSION OF ONLINE FASTENER GROUP LLC . ALL RIGHTS OF DESIGN OR INVENTION ARE RESERVED.