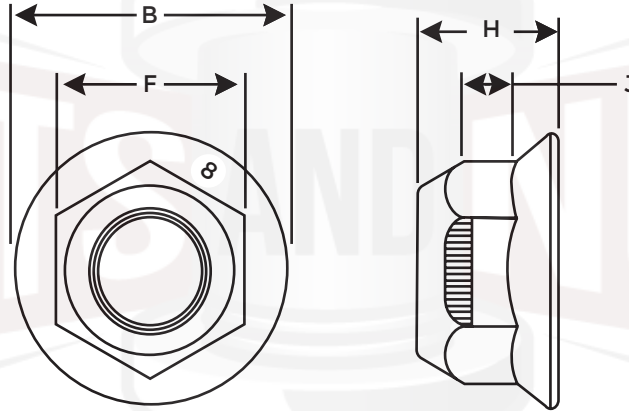




Class 8 Hex Flange Top Lock Nuts



Milimeters						
Nominal Size or Basic Bolt Diameter	F		B	H		J
	Width Across Flats		Flange Dia	Nut Thickness		Wrench Height
	Max	Min	Max	Max	Min	Min
M5	8.00	7.78	11.80	6.20	5.70	4.70
M6	10.00	9.78	14.20	7.30	6.80	5.70
M8	13.00	12.73	17.90	9.40	8.74	7.60
M10	15.00	14.73	21.80	11.40	10.34	9.60
M12	18.00	17.73	26.00	13.80	12.57	11.60
M14	21.00	20.67	29.90	15.90	14.80	13.30
M16	24.00	23.67	34.50	18.30	17.20	15.30

Dimensions: DIN 6927 Prevailing Torque Lock Nut - Cone Style Top
Material: Class 8
All Metal Locking Feature:
Top is pressed or crimped to displace threads which creates the locking feature.

440.606.6557

www.boltsandnuts.com

info@boltsandnuts.com