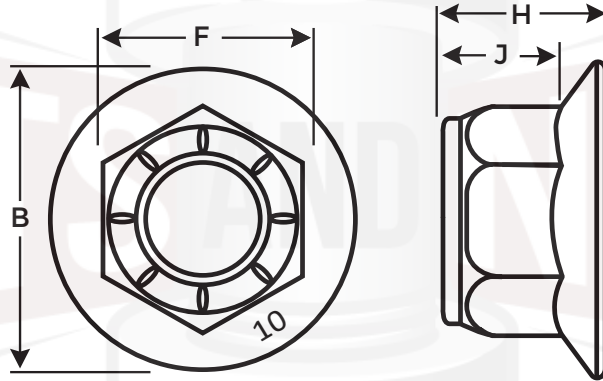


Class 10 Hex Flange Nylon Insert Lock Nuts



Inches						
Nominal Size or Basic Bolt Diameter	F		B	H		J
	Width Across Flats		Flange Dia	Nut Thickness		Wrench Height
	Max	Min	Max	Max	Min	Min
M5	8.00	7.78	11.80	7.10	6.74	4.70
M6	10.00	9.78	14.20	9.10	8.74	5.70
M8	13.00	12.73	17.90	11.10	10.67	7.60
M10	15.00	14.73	21.80	13.50	13.07	9.60
M12	18.00	17.73	26.00	16.10	15.67	11.60
M14	21.00	20.67	29.90	18.20	17.68	13.30
M16	24.00	23.67	34.50	20.30	19.46	15.30

Dimensions: DIN 6926 Nylon Insert Lock Nut
 Material: ISO 898-2 Class 10

440.606.6557

www.boltsandnuts.com

info@boltsandnuts.com