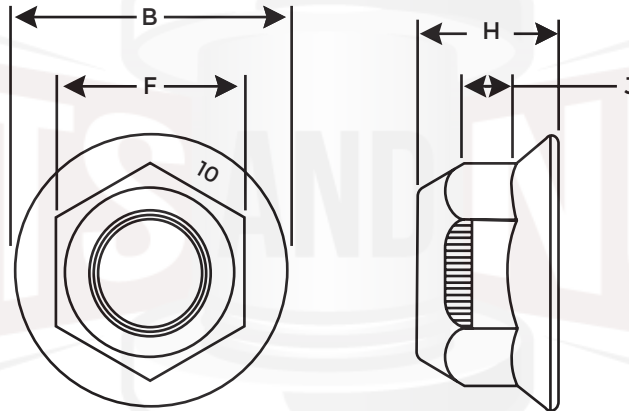




## Class 10 Hex Flange Top Lock Nuts



| Milimeters                          |                    |       |            |               |       |               |
|-------------------------------------|--------------------|-------|------------|---------------|-------|---------------|
| Nominal Size or Basic Bolt Diameter | F                  |       | B          | H             |       | J             |
|                                     | Width Across Flats |       | Flange Dia | Nut Thickness |       | Wrench Height |
|                                     | Max                | Min   | Max        | Max           | Min   | Min           |
| M6                                  | 10.00              | 9.78  | 14.20      | 7.30          | 6.80  | 5.70          |
| M8                                  | 13.00              | 12.73 | 17.90      | 9.40          | 8.74  | 7.60          |
| M10                                 | 15.00              | 14.73 | 21.80      | 11.40         | 10.34 | 9.60          |
| M12                                 | 18.00              | 17.73 | 26.00      | 13.80         | 12.57 | 11.60         |
| M14                                 | 21.00              | 20.67 | 29.90      | 15.90         | 14.80 | 13.30         |
| M16                                 | 24.00              | 23.67 | 34.50      | 18.30         | 17.20 | 15.30         |

**Dimensions: DIN 6927 Prevailing Torque Lock Nut - Cone Style Top**  
**Material: Class 10**  
**All Metal Locking Feature:**  
 Top is pressed or crimped to displace threads which creates the locking feature.

440.606.6557

www.boltsandnuts.com

info@boltsandnuts.com