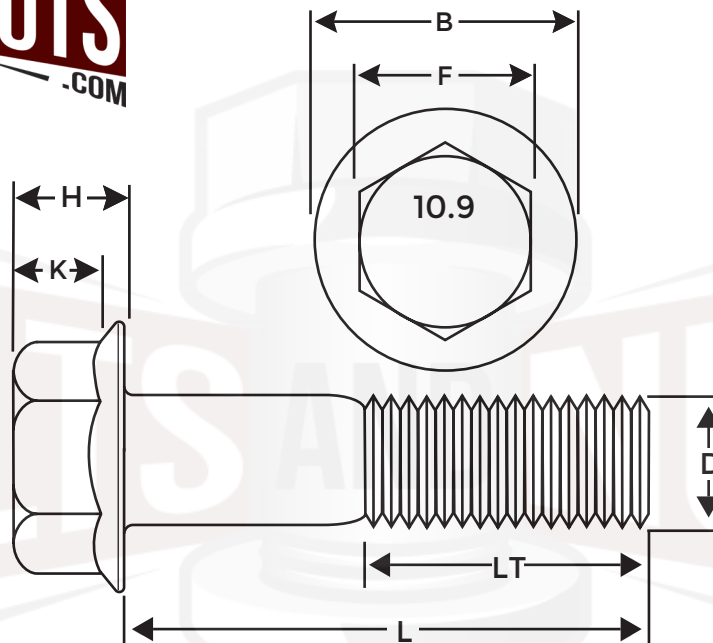


Metric Class 10.9 Hex Flange Screws



Millimeters							
Nominal Size or Basic Bolt Diameter	F		H	B	K	D	
	Width Across Flats		Height of Head	Flange Dia.	Wrench Height	Full Size Body Diameter	
	Max	Min	Max	Max	Min	Max	Min
M5	8.00	7.78	5.40	11.80	2.00	5.00	4.82
M6	10.00	9.78	6.60	14.20	2.50	6.00	5.82
M8	13.00	12.73	8.10	18.00	3.20	8.00	7.78
M10	15.00	14.73	9.20	22.30	3.60	10.00	9.78
M12	16.00	15.73	11.50	26.60	4.60	12.00	11.73
M14	18.00	17.73	12.80	30.50	5.10	14.00	13.73
M16	21.00	20.67	14.40	35.00	5.80	16.00	15.73

Dimensions: DIN 6921
 Material: Class 10.9 ISO898-1
 Tensile Strength: 1040N/MM2 Minimum

Thread Length Chart				
DIA.	FULL THREAD OR PARTIAL THREAD		PARTIAL THREAD	PARTIAL THREAD COLUMN MIN THREAD LENGTH
M5	THROUGH	20mm	25mm & LONGER	Min 16mm
M6	THROUGH	20mm	25mm & LONGER	Min 18mm
M8	THROUGH	30mm	35mm & LONGER	Min 22mm
M10	THROUGH	35mm	40mm & LONGER	Min 26mm
M12	THROUGH	40mm	45mm & LONGER	Min 30mm
M14	THROUGH	45mm	50mm & LONGER	Min 34mm
M16	THROUGH	50mm	55mm & LONGER	Min 38mm

440.606.6557

www.boltsandnuts.com

info@boltsandnuts.com

ONLINE FASTENER GROUP LLC CLAIMS ALL PROPRIETARY RIGHTS TO THIS DRAWING AND THE INFORMATION IT CONTAINS. THIS MATERIAL IS CONFIDENTIAL. DISCLOSURE, REPRODUCTION, AND MANUFACTURING IS STRICTLY PROHIBITED WITHOUT THE EXPRESS WRITTEN PERMISSION OF ONLINE FASTENER GROUP LLC . ALL RIGHTS OF DESIGN OR INVENTION ARE RESERVED.