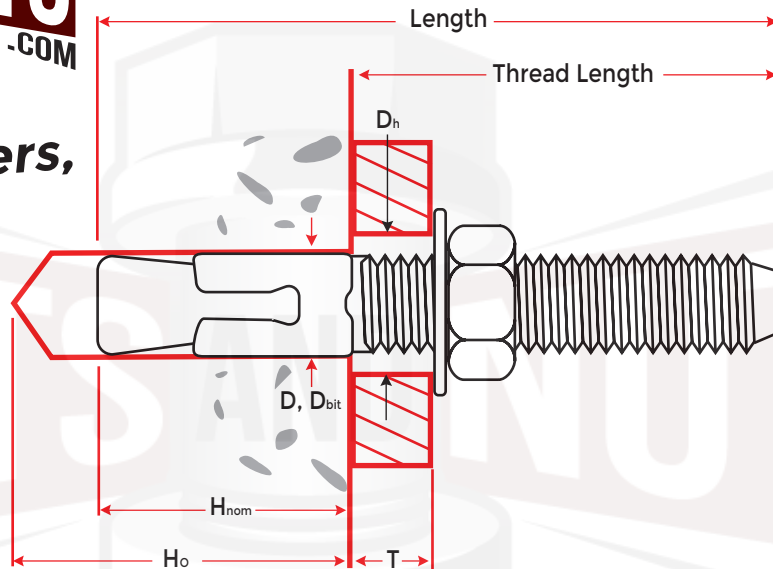


Quality Fasteners,  
Delivered!®

## Stainless Steel Wedge Anchors With Nuts & Washers



D, Dbit	D, Dbit	Hnom	Thread Length
Diameter	Hole Size	Minimum Embedment	Minimum Thread Length
1/4"	1/4"	1-1/8"	3/4"
5/16"x2" only	5/16"	7/8"	1-1/2"
5/16"		1-1/8"	
3/8"x2-1/4" only	3/8"	1-1/2"	7/8"
3/8"			1-1/8"
1/2"	1/2"	2-1/4"	1-1/4"
5/8"x3-1/2" only	5/8"	2-3/4"	1-3/4"
5/8"			2"
3/4"	3/4"	3-1/4"	2"
7/8"	7/8"	3-7/8"	2-1/4"
1"	1"	4-1/2"	2-1/4"
1-1/4"	1-1/4"	5-1/2"	3-1/4"

**Material: 18-8 (T304) Stainless Steel**  
Includes Washers & Nuts

440.606.6557

www.boltsandnuts.com

info@boltsandnuts.com

ONLINE FASTENER GROUP LLC CLAIMS ALL PROPRIETARY RIGHTS TO THIS DRAWING AND THE INFORMATION IT CONTAINS. THIS MATERIAL IS CONFIDENTIAL. DISCLOSURE, REPRODUCTION, AND MANUFACTURING IS STRICTLY PROHIBITED WITHOUT THE EXPRESS WRITTEN PERMISSION OF ONLINE FASTENER GROUP LLC . ALL RIGHTS OF DESIGN OR INVENTION ARE RESERVED.