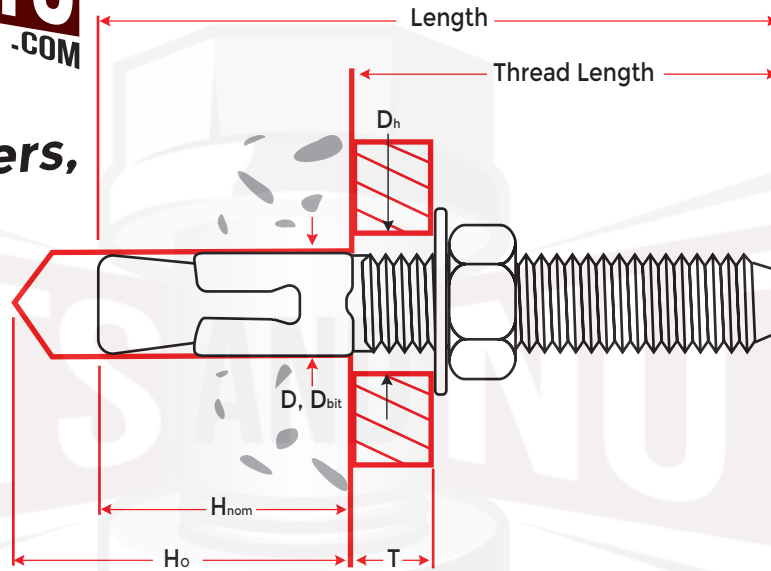




Quality Fasteners,  
Delivered!®

**Steel Wedge Anchors  
With Nuts & Washers**



D, Dbit	D, Dbit	H <sub>nom</sub>	Thread Length
Diameter	Hole Size	Minimum Embedment	Minimum Thread Length
1/4"	1/4"	1-1/8"	3/4"
5/16"x2" only	5/16"	7/8"	1-1/2"
5/16"		1-1/8"	
3/8"x2-1/4" only	3/8"	1-1/2"	7/8"
3/8"			1-1/8"
1/2"	1/2"	2-1/4"	1-1/4"
5/8"x3-1/2" only	5/8"	2-3/4"	1-3/4"
5/8"			2"
3/4"	3/4"	3-1/4"	2"
7/8"	7/8"	3-7/8"	2-1/4"
1"	1"	4-1/2"	2-1/4"
1-1/4"	1-1/4"	5-1/2"	3-1/4"
<b>Material: Steel</b>			
<b>Includes Washers &amp; Nuts</b>			

440.606.6557

www.boltsandnuts.com

info@boltsandnuts.com

ONLINE FASTENER GROUP LLC CLAIMS ALL PROPRIETARY RIGHTS TO THIS DRAWING AND THE INFORMATION IT CONTAINS. THIS MATERIAL IS CONFIDENTIAL. DISCLOSURE, REPRODUCTION, AND MANUFACTURING IS STRICTLY PROHIBITED WITHOUT THE EXPRESS WRITTEN PERMISSION OF ONLINE FASTENER GROUP LLC . ALL RIGHTS OF DESIGN OR INVENTION ARE RESERVED.