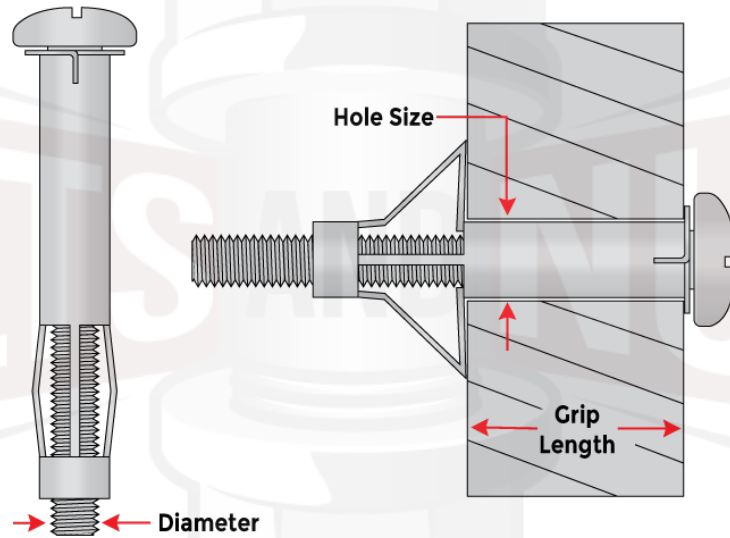




Quality Fasteners,
Delivered!®

Hollow Wall Anchors Standard Point



Diameter	Reach	Hole Size	Grip Range
1/8"	XS	5/16"	1/16" - 1/4"
1/8"	S	1/4"	1/8" - 1/2"
1/8"	SL		1/8" - 13/16"
1/8"	L		5/8" - 7/8"
1/8"	XL		1-1/4" - 1-1/2"
3/16"	S		3/8"
3/16"	L	5/8" - 1-3/16"	
3/16"	XL	1-1/4" - 1-3/4"	
1/4"	S	1/2"	1/8" - 5/8"
1/4"	L		5/8" - 1-3/16"
1/4"	XL		1-1/4" - 1-3/4"

XS - Extra Short Reach, S - Short Reach,
L - Long Reach, XL - Extra Long Reach.

Material: Steel
Finish: Zinc Clear

440.606.6557

www.boltsandnuts.com

info@boltsandnuts.com

ONLINE FASTENER GROUP LLC CLAIMS ALL PROPRIETARY RIGHTS TO THIS DRAWING AND THE INFORMATION IT CONTAINS. THIS MATERIAL IS CONFIDENTIAL. DISCLOSURE, REPRODUCTION, AND MANUFACTURING IS STRICTLY PROHIBITED WITHOUT THE EXPRESS WRITTEN PERMISSION OF ONLINE FASTENER GROUP LLC . ALL RIGHTS OF DESIGN OR INVENTION ARE RESERVED.