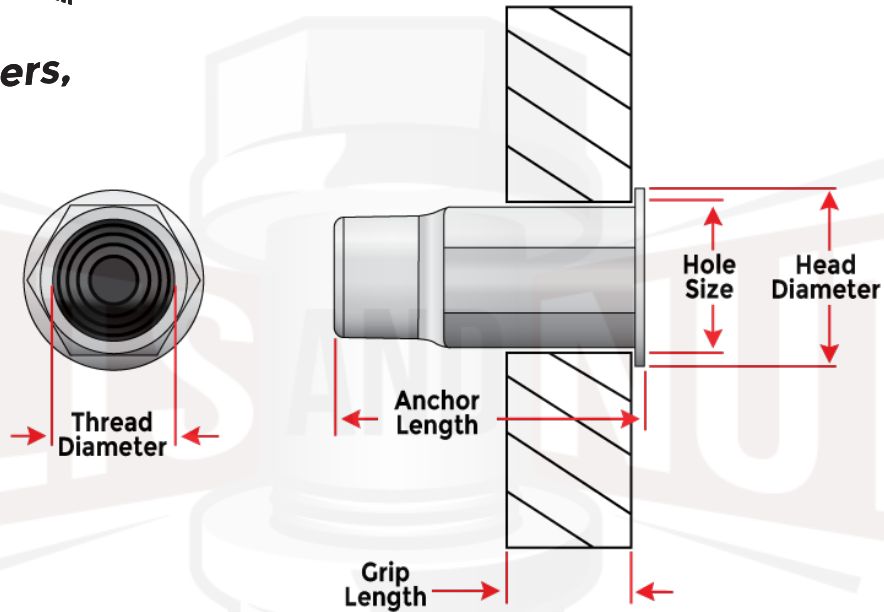




**Quality Fasteners,  
Delivered!®**

## Steel Hex Body Rivet Nuts



Thread Diameter	Grip Length
8-32	0.020-0.080"
8-32	0.080-0.130" L
10-24	0.020-0.130"
10-24	0.130-0.225" L
10-32	0.020-0.130"
10-32	0.130-0.225" L
1/4-20	0.027-0.165"
1/4-20	0.165-0.260" L
5/16-18	0.027-0.150"
5/16-18	0.150-0.312" L
3/8-16	0.027-0.150"
3/8-16	0.150-0.312" L
<b>Material: Carbon Steel</b> <b>Grip Length "L" = Longer Grip Length</b> <b>Dimensions: Per Table Above</b>	

440.606.6557

[www.boltsandnuts.com](http://www.boltsandnuts.com)

[info@boltsandnuts.com](mailto:info@boltsandnuts.com)

ONLINE FASTENER GROUP LLC CLAIMS ALL PROPRIETARY RIGHTS TO THIS DRAWING AND THE INFORMATION IT CONTAINS. THIS MATERIAL IS CONFIDENTIAL. DISCLOSURE, REPRODUCTION, AND MANUFACTURING IS STRICTLY PROHIBITED WITHOUT THE EXPRESS WRITTEN PERMISSION OF ONLINE FASTENER GROUP LLC . ALL RIGHTS OF DESIGN OR INVENTION ARE RESERVED.