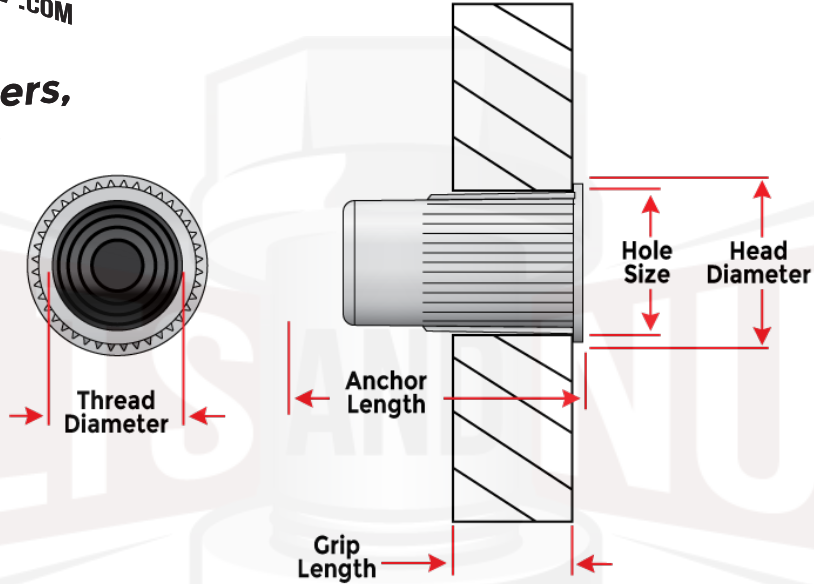




Quality Fasteners,
Delivered!®

Small Flange Knurled Body Rivet Nuts



Thread Diameter	Grip Length	Head Diameter	Hole Size
6-32	0.020-0.080"	0.310"	0.265"
6-32	0.080-0.130" L	0.310"	0.265"
8-32	0.020-0.080"	0.310"	0.265"
8-32	0.080-0.130" L	0.310"	0.265"
10-24	0.020-0.130"	0.340"	0.297"
10-24	0.130-0.225" L	0.340"	0.297"
10-32	0.020-0.130"	0.340"	0.297"
10-32	0.130-0.225" L	0.340"	0.297"
1/4-20	0.027-0.165"	0.455"	0.391"
1/4-20	0.165-0.260" L	0.455"	0.391"
5/16-18	0.027-0.150"	0.595"	0.531"
5/16-18	0.150-0.312" L	0.595"	0.531"
3/8-16	0.027-0.150"	0.595"	0.531"
3/8-16	0.150-0.312" L	0.595"	0.531"

Material: Aluminum
Grip Length "L" = Longer Grip Length
Dimensions: Per Table Above

440.606.6557

www.boltsandnuts.com

info@boltsandnuts.com

ONLINE FASTENER GROUP LLC CLAIMS ALL PROPRIETARY RIGHTS TO THIS DRAWING AND THE INFORMATION IT CONTAINS. THIS MATERIAL IS CONFIDENTIAL. DISCLOSURE, REPRODUCTION, AND MANUFACTURING IS STRICTLY PROHIBITED WITHOUT THE EXPRESS WRITTEN PERMISSION OF ONLINE FASTENER GROUP LLC. ALL RIGHTS OF DESIGN OR INVENTION ARE RESERVED.