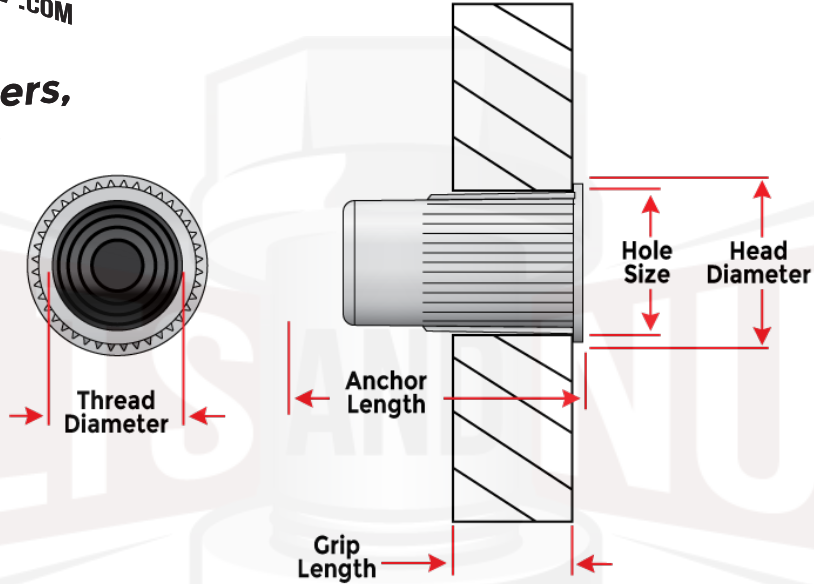




Quality Fasteners,  
Delivered!®

## Small Flange Knurled Body Rivet Nuts



Thread Diameter	Grip Length	Head Diameter	Hole Size
M4-0.7	0.020-0.080"	7.87mm	6.75mm
M4-0.7	0.020-0.130" L	7.87mm	6.75mm
M5-0.8	0.020-0.130"	8.64mm	7.6mm
M5-0.8	0.130-0.225" L	8.64mm	7.6mm
M6-1.0	0.027-0.165"	11.56mm	10mm
M6-1.0	0.165-0.260" L	11.56mm	10mm
M8-1.25	0.027-0.150"	15.11mm	13.5mm
M8-1.25	0.150-0.312" L	15.11mm	13.5mm
M10-1.50	0.027-0.150"		13.5mm
M10-1.50	0.150-0.312" L		13.5mm

**Material: Carbon Steel**  
**Grip Length "L" = Longer Grip Length**  
**Dimensions: Per Table Above**

440.606.6557

www.boltsandnuts.com

info@boltsandnuts.com