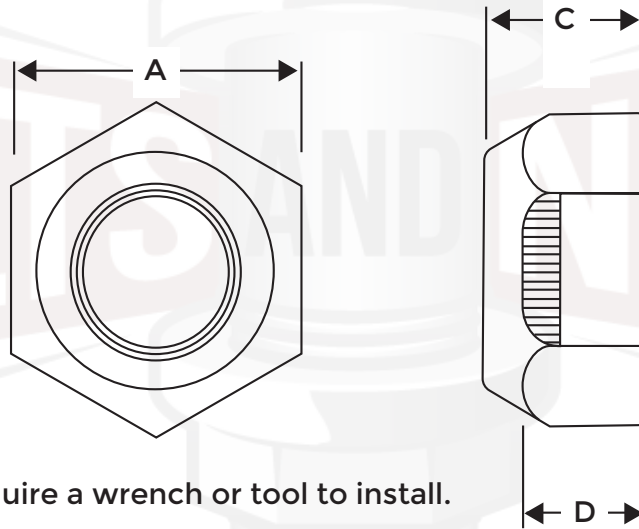




Class 10 Hex Lock Nuts



This nut will require a wrench or tool to install.

Nominal Size or Basic Bolt Diameter	A		C		D
	Width Across Flats (MM)		Nut Thickness (MM)		Hex Height (MM)
	Max	Min	Max	Min	Min
M6-1.0	10	9.78	6	5.70	3.30
M8-1.25	13	12.73	8	7.50	4.40
M10-1.5	17	16.73	10	9.00	5.50
M12-1.75	19	18.67	12	11.00	6.60
M14-2.0	22	21.67	14	12.00	7.70
M16-2.0	24	23.67	16	14.00	8.80

Dimensions: DIN 980V

Material: Class 10

All Metal Locking Feature:

Top is pressed or crimped to displace threads which creates the locking feature.

440.606.6557

www.boltsandnuts.com

info@boltsandnuts.com

ONLINE FASTENER GROUP LLC CLAIMS ALL PROPRIETARY RIGHTS TO THIS DRAWING AND THE INFORMATION IT CONTAINS. THIS MATERIAL IS CONFIDENTIAL. DISCLOSURE, REPRODUCTION, AND MANUFACTURING IS STRICTLY PROHIBITED WITHOUT THE EXPRESS WRITTEN PERMISSION OF ONLINE FASTENER GROUP LLC. ALL RIGHTS OF DESIGN OR INVENTION ARE RESERVED.